

KS系列声力电话系统  
Batteryless telephone system

## 设备组成 Device Composition

序号 S/N	型号 Model	名称 Name	主要材质 Main material	重量 Weight	防护等级 IP class
1	KS-1G	声力电话机(壁挂式) Batteryless telephone(Wall mount)	阻燃ABS Fire retardant ABS	1.4Kg	IP 44
2	12/24KS-1G	声力电话机(壁挂式) Batteryless telephone(Wall mount)	阻燃ABS Fire retardant ABS	1.46/2.66Kg	IP 44
3	KS-1Q	声力电话机(嵌入式) Batteryless telephone(Flush type)	阻燃ABS Fire retardant ABS	1.14Kg	IP 20
4	12/24KS-1Q	声力电话机(嵌入式) Batteryless telephone(Flush type)	阻燃ABS Fire retardant ABS	1.22/1.3Kg	IP 20
5	KS-1J	声力电话机 Batteryless telephone	阻燃ABS Fire retardant ABS	2.06Kg	IP 44
6	12/24KS-1J	声力电话机 Batteryless telephone	阻燃ABS Fire retardant ABS	2.14/3.3Kg	IP 44
7	KS-1B	防爆声力电话机 Batteryless telephone for explosive atmospheres	阻燃ABS Fire retardant ABS	1.8Kg	IP 44
8	12/24KS-1B	防爆声力电话机 Batteryless telephone for explosive atmospheres	阻燃ABS Fire retardant ABS	1.86/3.3Kg	IP 44
9	KS-1F	声力电话机 Batteryless telephone	阻燃ABS Fire retardant ABS	2.0Kg	IP 56
10	12/24KS-1F	声力电话机 Batteryless telephone	阻燃PA66 Fire retardant PA66	2.0/2.2Kg	IP 56
11	KS-CZXA	直通声力电话机插座箱 Single-way batteryless telephone socket box	阻燃ABS Fire retardant ABS	0.5Kg	IP 56
12	KS-CZX	选通声力电话机插座箱 Multiway batteryless telephone socket box	阻燃ABS Fire retardant ABS	2.0Kg	IP 56
13	AQ-3	安全栅(用于直通声力电话机) Safety barrier (Be used for single-way batteryless telephone)	碳钢 Carbon steel	1.04Kg	IP 44
14	AQ-3B	安全栅(用于选通声力电话机) Safety barrier (Be used for 12/24-way batteryless telephone)	碳钢 Carbon steel	2.22Kg	IP 44
15	12/24KHX-1G	汇接箱(用于指挥型) Junction box (Be used for command mode)	碳钢 Carbon steel	3.14/4.5Kg	IP 22
16	12/24KHX-2G	汇接箱(用于互通型) Junction box (Be used for intercom mode)	碳钢 Carbon steel	5.7/28Kg	IP 22/IP44
17	KL-1G	闪光分铃器(DC24V供电) Relay box(Power is DC24V)	阻燃ABS Fire retardant ABS	0.6Kg	IP 44
18	KL-2G	闪光分铃器(AC220V供电) Relay box(Power is AC220V)	阻燃ABS Fire retardant ABS	1.0Kg	IP 44
19	KL-1AG	闪光灯铃组(DC24V供电) Alarm with light and buzzer(Power is DC24V)	阻燃PC Fire retardant PC	0.9Kg	IP 44
20	KL-2AG	闪光灯铃组(AC220V供电) Alarm with light and buzzer(Power is AC220V)	阻燃PC Fire retardant PC	1.3Kg	IP 44
21	FSX-3N/1N	防风雨箱 Weatherproof box	不锈钢 Stainless steel	2.7/6Kg	IP 56
22	BX-1	便携箱 Portable box	碳钢 Carbon steel	7.0Kg	IP 44

声力电话机  
Batteryless telephone

功能描述

无源增音:无须外接DC24V,手摇发电机即可呼叫和增音通话。

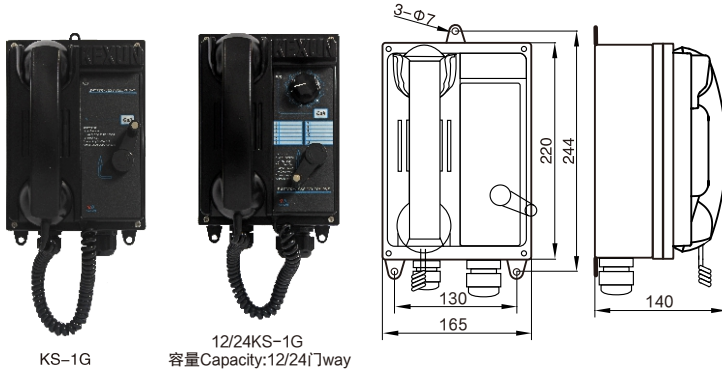
有源呼叫:接入DC24V电源,可按呼叫键呼叫和增音通话。

Function

Batteryless voice enhancing: without external DC24V, turn the handle of built-in generator to call with voice enhancing.

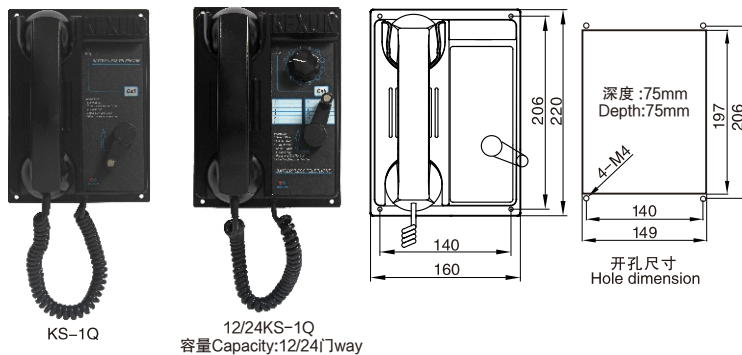
Call with power: press CALL button to call with voice enhancing when DC24V power connected.

KS/12KS/24KS-1G声力电话机KS/12KS/24KS-1G batteryless telephone



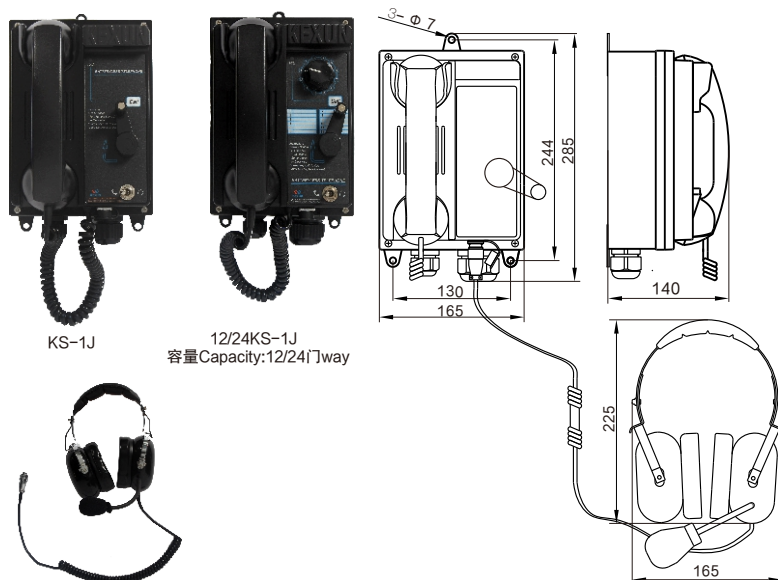
环境噪声 Ambient noise:  $\leq 75\text{dB}$   
振铃声级 Ringing sound level:  $>85\text{dB(A)}$   
工作电压 Power supply: DC24V  $+30\%$   $-25\%$   
颜色 Color: 黑色 black (RAL 9005)  
防护等级 IP class: IP44  
重量 Weight: 1.4/1.46/2.66Kg  
填料函进线孔径 Stuffing box cable entrance hole size:  
KS-1G: 1- $\phi 14\text{mm}$ ; 1- $\phi 18\text{mm}$ ;  
12KS-1G: 1- $\phi 14\text{mm}$ ; 1- $\phi 25\text{mm}$ ;  
24KS-1G: 1- $\phi 14\text{mm}$ ; 1- $\phi 38\text{mm}$

KS/12KS/24KS-1Q声力电话机KS/12KS/24KS-1Q batteryless telephone



环境噪声 Ambient noise:  $\leq 75\text{dB}$   
振铃声级 Ringing sound level:  $>85\text{dB(A)}$   
工作电压 Power supply: DC24V  $+30\%$   $-25\%$   
颜色 Color: 黑色 black (RAL 9005)  
防护等级 IP class: IP20  
重量 Weight: 1.14/1.22/1.3Kg

KS/12KS/24KS-1J声力电话机KS/12KS/24KS-1J batteryless telephone



环境噪声 Ambient noise:  $\leq 120\text{dB}$   
振铃声级 Ringing sound level:  $>85\text{dB(A)}$   
工作电压 Power supply: DC24V  $+30\%$   $-25\%$   
颜色 Color: 黑色 black (RAL 9005)  
防护等级 IP class: IP44  
重量 Weight: 2.06/2.14/3.3Kg  
填料函进线孔径 Stuffing box cable entrance hole size:  
KS-1J : 1- $\phi 14\text{mm}$ ; 1- $\phi 18\text{mm}$ ;  
12KS-1J : 1- $\phi 14\text{mm}$ ; 1- $\phi 25\text{mm}$ ;  
24KS-1J : 1- $\phi 14\text{mm}$ ; 1- $\phi 38\text{mm}$

耳机挂钩尺寸  
Headset pothook size

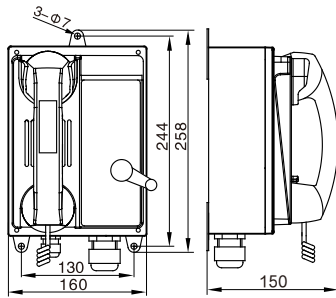
KS/12KS/24KS-1B防爆声力电话机

KS/12KS/24KS-1B Batteryless telephone for explosive atmospheres



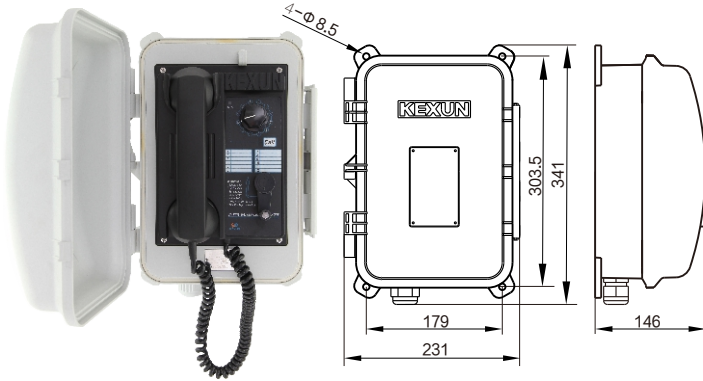
KS-1B

12/24KS-1B  
容量Capacity:12/24门Way



环境噪声Ambient noise:  $\leq 75\text{dB}$   
 振铃声级Ringing sound level:  $>85\text{dB(A)}$   
 工作电压Power supply:  $\text{DC}24\text{V}^{+30\%}_{-25\%}$   
 颜色Color: 黑色black (RAL9005)  
 防护等级 IP class:IP44  
 重量 Weight:1.8/1.86/3.3Kg  
 防爆等级Explosion-proof class:Exib II CT4 Gb  
 填料函进线孔径Stuffing box cable entrance hole size:  
 KS-1B: 1- $\Phi 14\text{mm}$ ;1- $\Phi 18\text{mm}$ ;  
 12KS-1B:1- $\Phi 14\text{mm}$ ;1- $\Phi 25\text{mm}$ ;  
 24KS-1B:1- $\Phi 14\text{mm}$ ;1- $\Phi 38\text{mm}$   
 与安全栅配接Connected with safety barrier:KS-1B:AQ-3  
 12/24KS-1B:AQ-3B

KS/12KS/24KS-1F声力电话机KS/12KS/24KS-1F batteryless telephone



环境噪声Ambient noise:  $\leq 75\text{dB}$   
 振铃声级Ringing sound level: $>85\text{dB(A)}$   
 工作电压Power supply:  $\text{DC}24\text{V}^{+30\%}_{-25\%}$   
 颜色Color:海灰色sea gray (RAL 7035)  
 防护等级 IP class:IP56  
 重量 Weight:2.0/2.2Kg  
 填料函进线孔径 Stuffing box cable entrance hole size:  
 KS/12KS-1F:1- $\Phi 18\text{mm}$ ;  
 24KS-1F: 1- $\Phi 18\text{mm}$ ,1- $\Phi 25\text{mm}$   
 (不锈钢外箱可选FSX-1N)  
 (stainless steel box is optional FSX-1N)

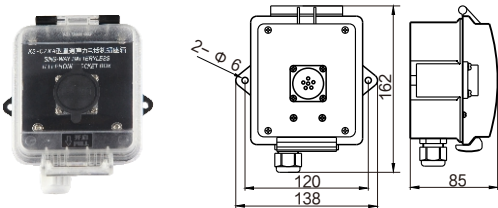
KS-CZXA直通声力电话机插座箱 Single-way batteryless telephone socket box

功能描述

配合便携式声力电话机使用。

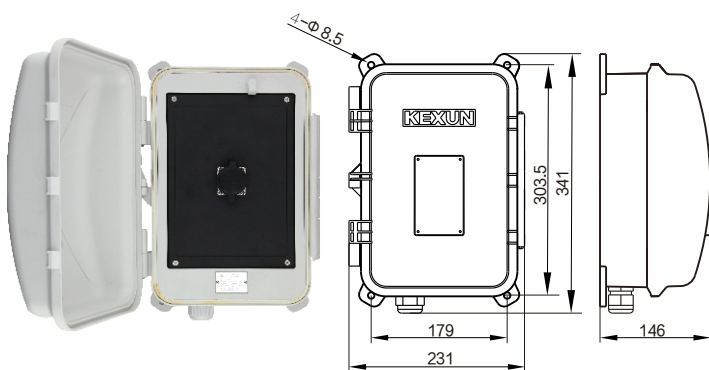
Function

It can be used matching with portable batteryless telephone.



颜色Color: 黑色black (RAL 9005)  
 防护等级 IP class:IP56  
 重量 Weight:0.5Kg  
 填料函进线孔径 Stuffing box cable entrance hole size:  
 1- $\Phi 14\text{mm}$   
 (不锈钢外箱可选FSX-3N)  
 (stainless steel box is optional FSX-3N)

KS-CZX选通声力电话机插座箱 Multiway batteryless telephone socket box



颜色Color: 海灰色sea gray (RAL 7035)  
 防护等级 IP class:IP56  
 重量 Weight:2.0Kg  
 填料函进线孔径 Stuffing box cable entrance hole size:  
 1- $\Phi 14\text{mm}$   
 (不锈钢外箱可选FSX-1N)  
 (stainless steel box is optional FSX-1N)

## 安全栅 Safety barrier

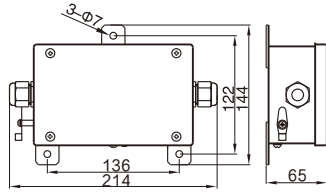
### 功能描述

与防爆声力电话机配套使用。

### Function

Used with explosion-proof batteryless telephone together.

## AQ-3安全栅 Safety barrier



适用于直通声力电话机 (Be used for Single-way batteryless telephone)

颜色Color:黑色black (RAL9005)

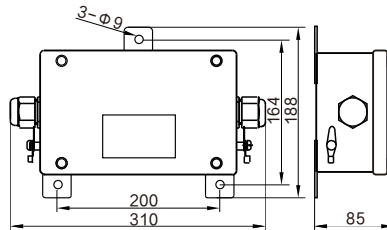
防爆等级Explosion-proof class: [Ex ib Gb] II C

防护等级 IP class:IP44

重量 Weight:1.04Kg

填料函进线孔径Stuffing box cable entrance hole size:  
2-φ14mm;

## AQ-3B安全栅 Safety barrier



适于选通声力电话机 (Be used for 12/24-way batteryless telephone)

颜色Color:黑色black (RAL9005)

防爆等级Explosion-proof class: [Ex ib Gb] II C

防护等级 IP class:IP44

重量 Weight:2.22Kg

填料函进线孔径Stuffing box cable entrance hole size:  
2-φ26mm;

## 12/24KHX-1G汇接箱 Junction box

### 功能描述

选通声力电话机接线箱。

12/24KHX-1G为指挥型汇接箱

与KS系列声力电话配套使用

容量: 12/24门

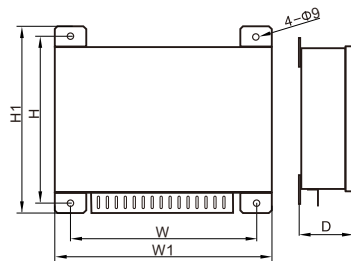
### Function

Multway batteryless telephone connection box

12/24KHX-1G command connection box

Used with KS series batteryless telephone together

Capacity: 12/24-way



颜色Color: 中绿灰green gray (RAL 6034)

防护等级 IP class:IP22/IP44

重量 Weight:3.14/4.5Kg

安装尺寸 Mounting size

型号 Model	W	W1	H	H1	D
12KHX-1G	270	304	224	248	85
24KHX-1G	340	384	274	298	135

## 12/24KHX-2G汇接箱 Junction box

### 功能描述

选通声力电话机接线箱。

12/24KHX-2G为互通型汇接箱

与KS系列声力电话配套使用

容量: 12/24门

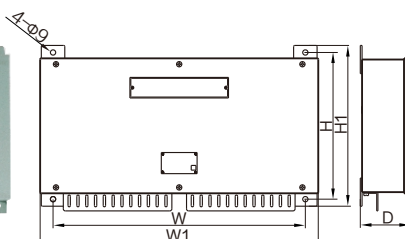
### Function

Multway batteryless telephone connection box

12/24KHX-2G intercom connection box

Used with KS series batteryless telephone together

Capacity: 12/24-way



颜色Color: 中绿灰green gray (RAL 6034)

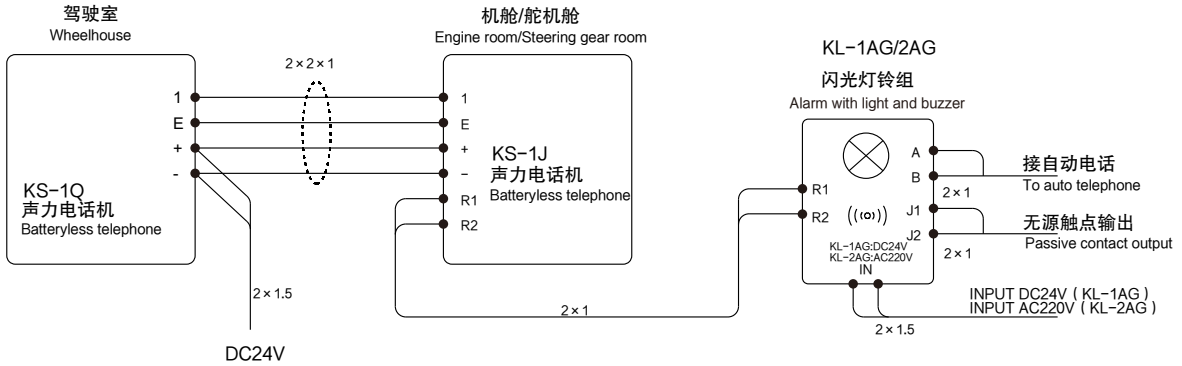
防护等级 IP class:IP22/ IP44

重量 Weight:5.7/28Kg

型号 Model	W	W1	H	H1	D
12KHX-2G	430	474	250	274	82
24KHX-2G	940	1004	490	530	208

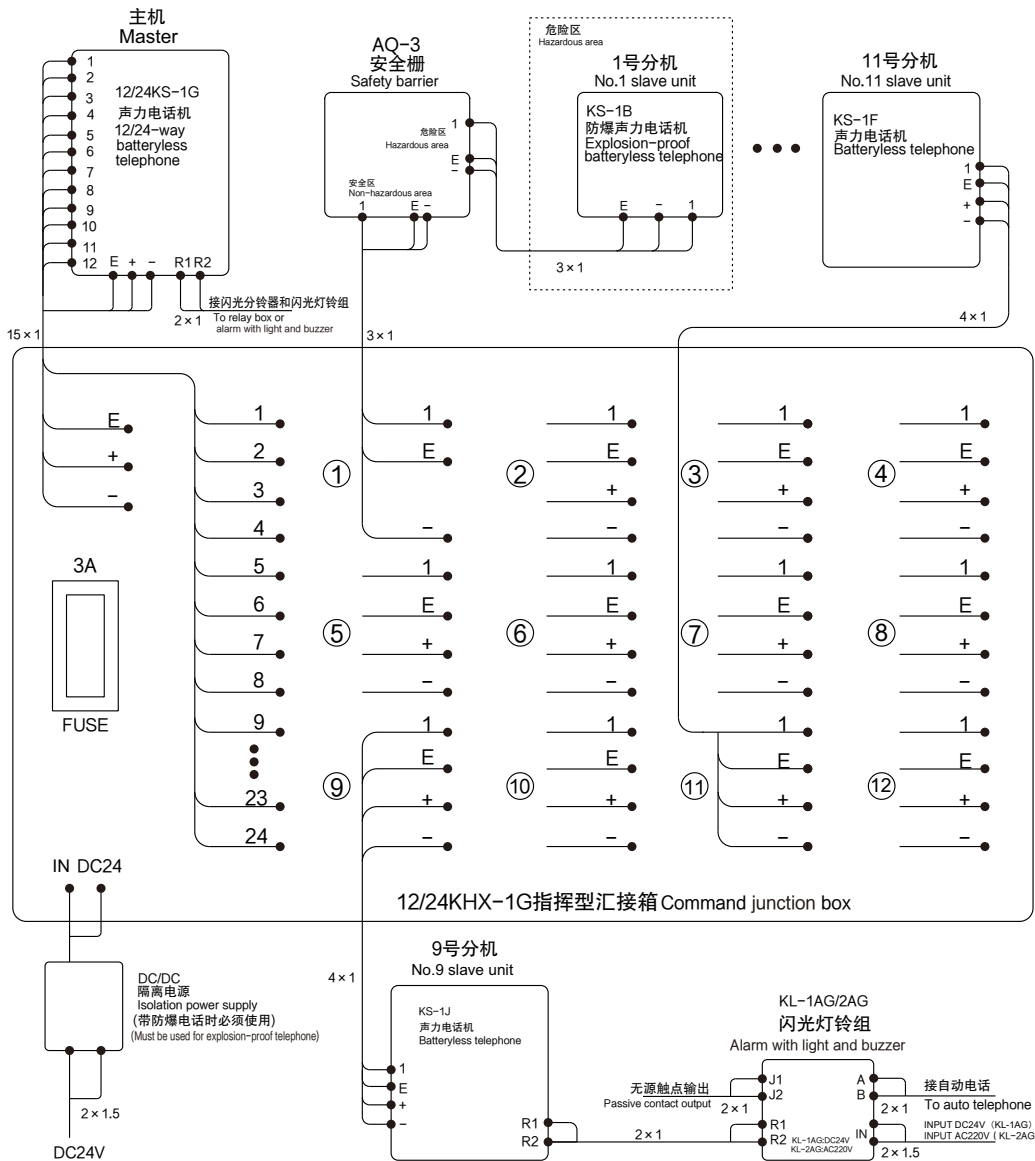
KS系列直通声力电话系统接线示意图

KS series single-way batteryless telephone system connection diagram



KS系列指挥声力电话系统接线示意图

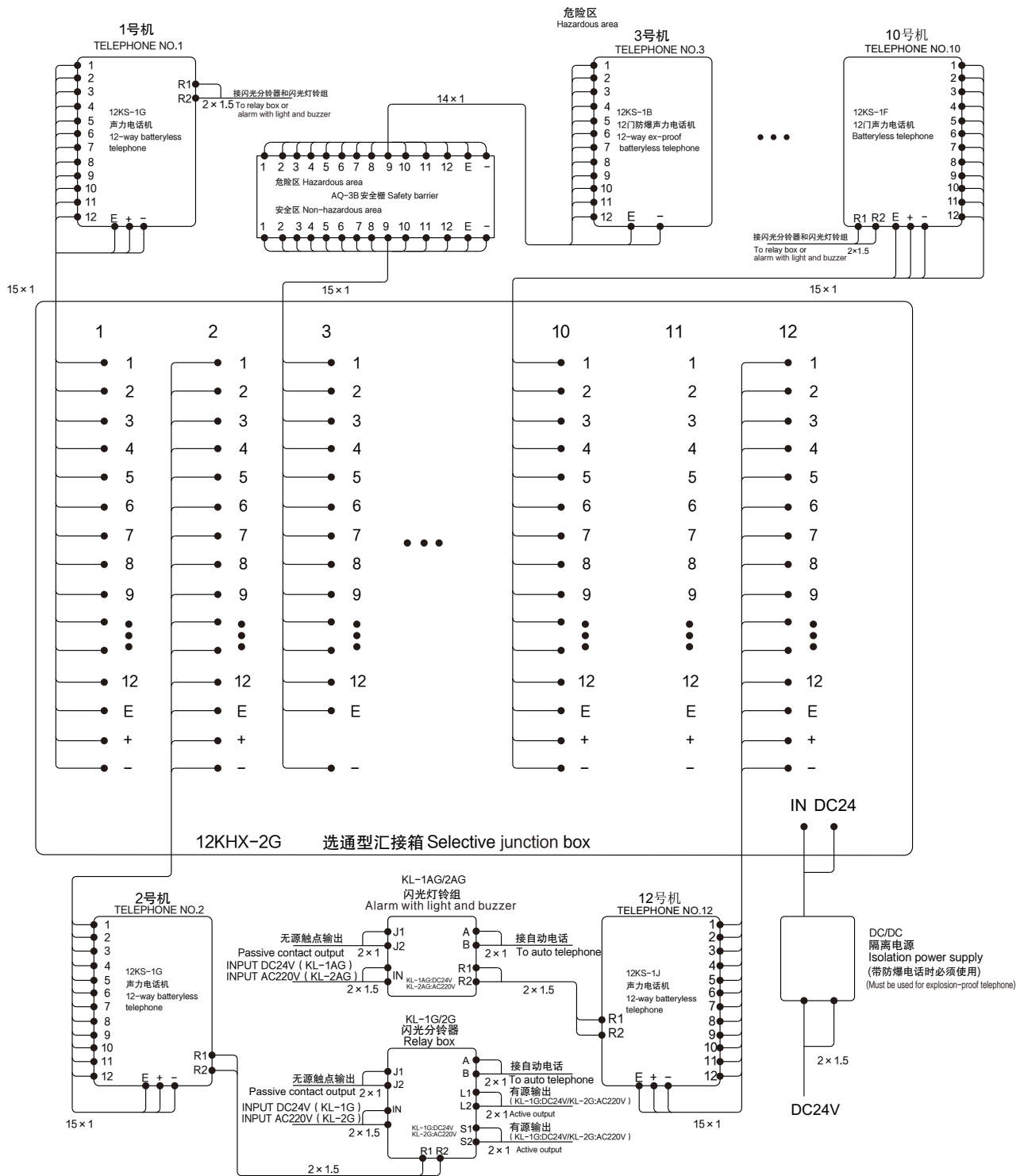
KS series command batteryless telephone system connection diagram





### Ks系列12门选通声力电话系统接线示意图

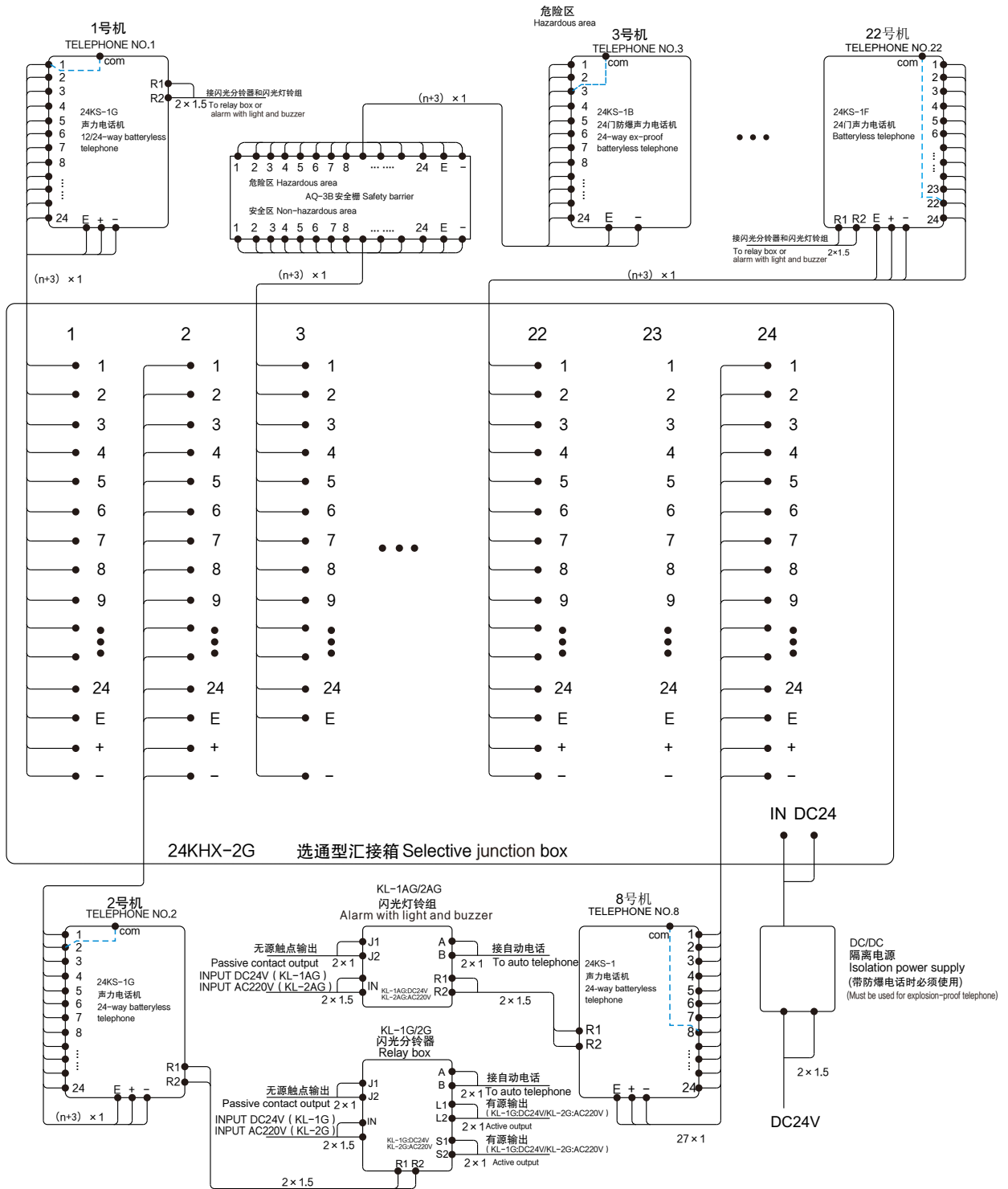
#### KS series 12-way selective batteryless telephone system connection diagram



选通声力电话机的电缆芯线数为：N+3。N为选通声力电话机门数。

Cable core number for 12-way batteryless telephone is N+3, where N denotes the way of batteryless telephone

KS系列24门选通声力电话系统接线示意图  
KS series 24-way selective batteryless telephone system connection diagram



选通声力电话机的电缆芯线数为：N+3。N为选通声力电话机门数。

Cable core number for 12-way batteryless telephone is N+3, where N denotes the way of batteryless telephone